

Introduction

The SL412 is a slim, discreetly profiled cabinet with wide dispersion at high frequencies. The four twelve inch speaker configuration provides controlled low-mid focus to reduce indoor reflection. Its slim design allows for simple wall mounting, suspension, ground stacking or internal wall fixing. The SL412 can be designed and supplied with custom colours, grill templates and logos, offering a flexible and truly designer integrated product. A single horizontal yoke assembly with multiple fixed angles and fixing locations provides a quick and cost effective solution for simple suspension.



Features

- Slim, discreetly profiled wall mount cabinet
- Wide dispersion at high frequencies, controlled at low-mids to reduce indoor reflections
- 134dB sustained output, 137dB peak with very high dynamic range
- Simple wall mounting and suspension, ground stacking options and can be installed internally into walls and surfaces
- These units can be designed and supplied with custom colors, grill templates and logos, offering a flexible and truly designer integrated product
- A single horizontal yoke assembly with multiple fixed angles and fixing locations, provides a quick and cost effective solution for simple suspension options
- The SL412i & SL2.15i are identical in performance and finish as the existing SL412 & SL2.15, except they do not incorporate the fixed handles for touring and presentation use. The 'I' version is designed for fixed installation use with the same existing mounting and flyware fixings

Application

Custom designed as an aesthetically – easily integratable high performance unit for multi-tasking installation projects of recorded and live music performance

- Fixed installation
- Nightclubs
- Multi-use venues
- Large bars

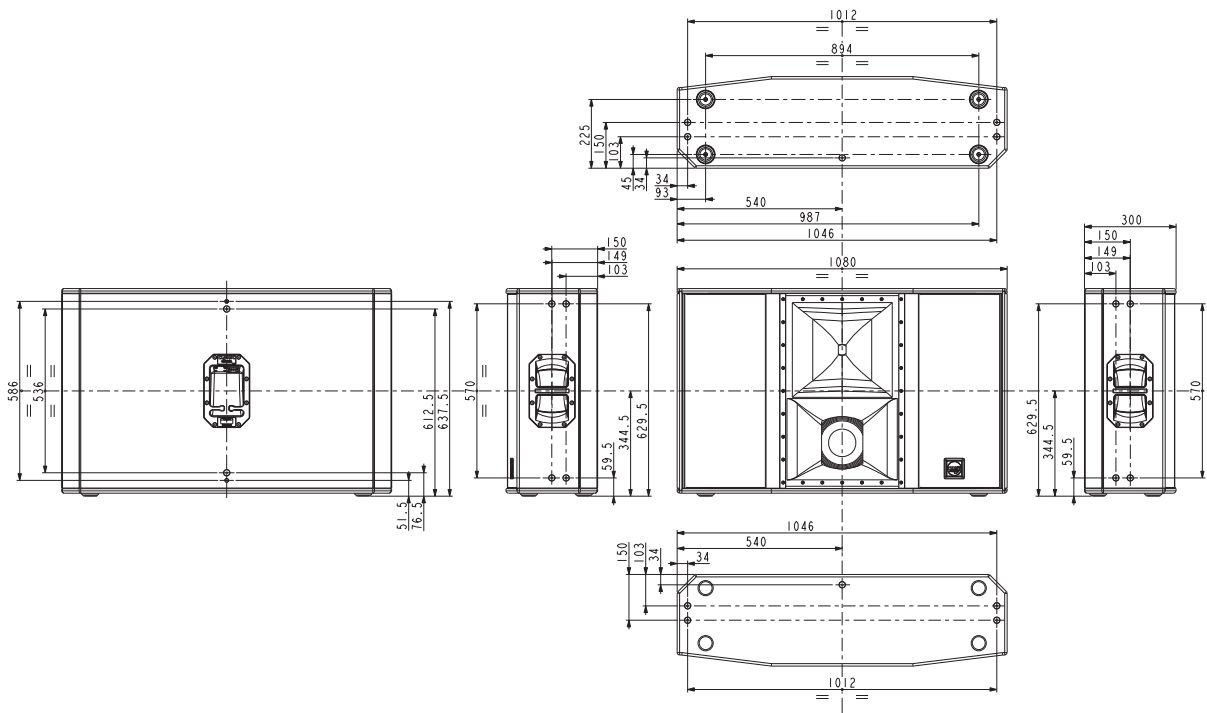
System Acoustic Performance		Low Frequency Section	
Max SPL Long-term	134dB	Acoustic Design	Front Loaded, Bass Reflex
Max SPL Peak	137dB	Low Frequency Amplifier Requirement	1000W
-3dB Response	70Hz to 22kHz	Number of Drivers	4
-10dB Response	58Hz to 22kHz	Woofer Size / Voice Coil Diameter / Design	12" / 3" / Inside Outside
High Frequency Section		Magnet Type	Neodymium and Ferrite
Acoustic Design	Horn Loaded	Speaker Input	
High Horn Coverage Horizontal / Vertical	110° x 40°	Speaker Input	AP6
Rotatable Horn	NO	Cabinet	
High Frequency Amplifier Requirement	100W	Cabinet Material	Baltic birch
Throat Exit Diameter / Diaphragm Size	1.4" / 3"	Handles	2
Diaphragm Material	Nitride Titanium	Flyware	20x M10 mounting points
Magnet Type	Neodymium	Color	"Orange peeled" Matt Black or any RAL
Mid Range Section		Physical Dimensions	
Acoustic Design	Horn Loaded	Height	670 mm (26.38")
Mid Horn Coverage Horizontal / Vertical	110° x 40°	Width	1080 mm (42.52")
Rotatable Horn	NO	Depth	300 mm (11.81")
Midrange Amplifier Requirement	200W	Weight	60 kg (132.28lbs)
Woofer Size / Voice Coil Diameter / Design	8" / 3.0" / Trans Coil		
Diaphragm Material	Epoxy Reinforced Cellulose		
Magnet Type	Neodymium		

Architectural Specifications

The three-way, mid / high loudspeaker system shall incorporate four 12-inch mid-bass (MB) transducers and an 8-inch mid-range (MR) speaker and a 1.4-inch exit compression driver high frequency (HF) transducer. The LF drivers are direct radiating, tuned for optimum mid-bass response. The HF and MR transducers shall be loaded in constant directivity mid/high horn assembly. The system has a nominal coverage pattern of 110° (horizontal) x 40° (vertical). The loudspeaker enclosure shall have a slim shape and shall incorporate, two side handles with integrated M10 suspension points, integrated internal braces with a total of 18 M10 suspension points. The speaker cabinet shall be finished with an ultra wear resistant black polymer coating and fitted with a weather resistant perforated steel grill. The system shall receive power from a separate stereo Amplifier SL3000.

Amplifier and controller module SL3000 consisting of separate power amplifiers for high, midrange and midbass transducers as well as signal processing including electronic band pass crossovers, limiters, phase alignment, time correction, equalization and speaker protection. The speaker system shall connect to the SL3000 via proprietary cables terminated in Amphenol AP-6 connectors. The three-way mid / high loudspeaker system shall be the KV2 Audio SL412.

Dimensional Drawings



The future of sound. Made perfectly clear.



KV2 Audio International, Nádražní 936, Milevsko 399 01, Czech Republic
 Tel.: +420 383 809 320
 Email: info@kv2audio.com | Web: www.kv2audio.com