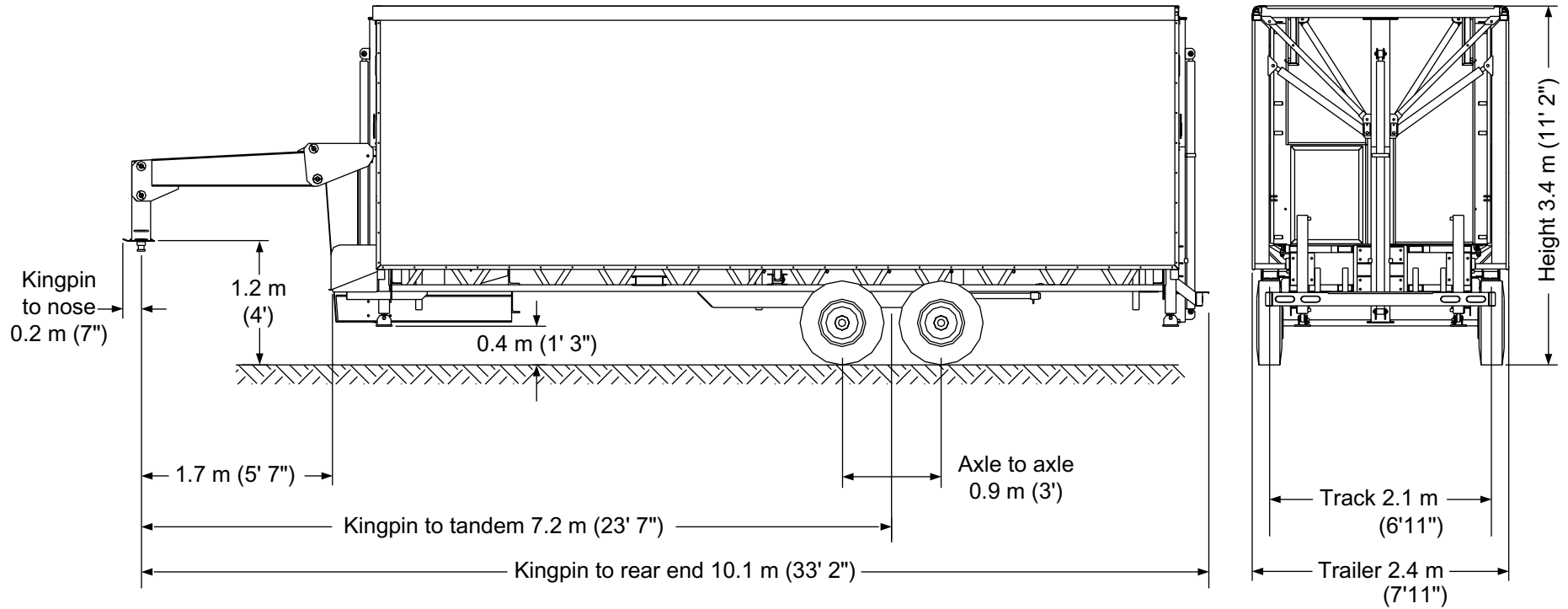




700 Marsolais Street
 L'Assomption, Quebec
 Canada J5W 2G9
 Tel: (450) 589-1063
 or 1-800-267-8243
 Fax: (450) 589-1711
 www.stageline.com
 info@stageline.com

Mass and Dimensions - SL 100



Mass **Kg** **Lbs**

Vehicle Mass	4540	10000
Mass on Tandem	3630	8000
Allowable Load on Axle	3100	6820

Note

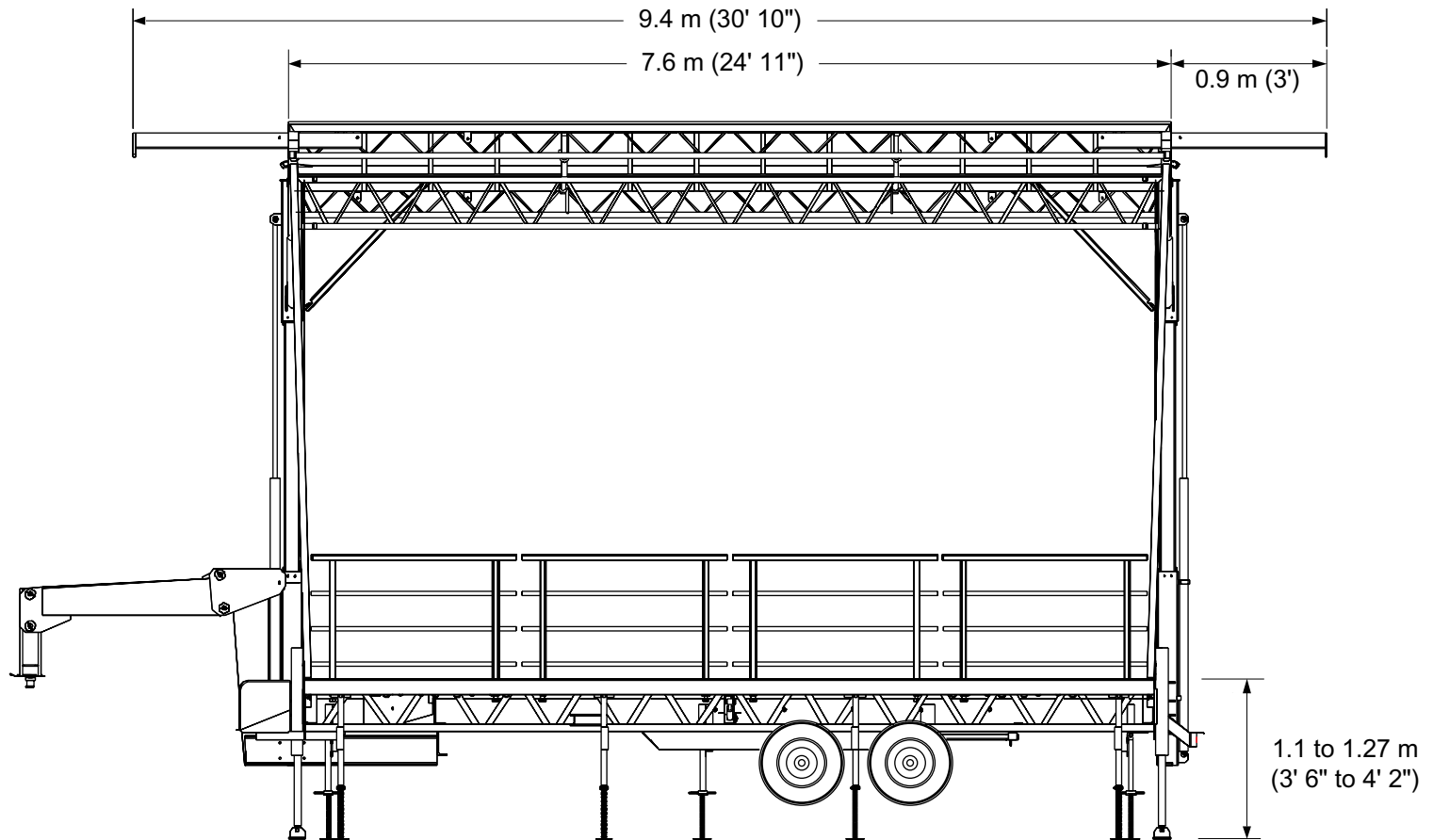
1. Mass may vary depending of options.

Standard: 2 axles



700 Marsolais Street
L'Assomption, Quebec
Canada J5W 2G9
Tel: (450) 589-1063
or 1-800-267-8243
Fax: (450) 589-1711
www.stageline.com
info@stageline.com

Stageline SL 100



Front View

Stage specifications subject
to change without notice
Figures are within inch
or cm to actual size

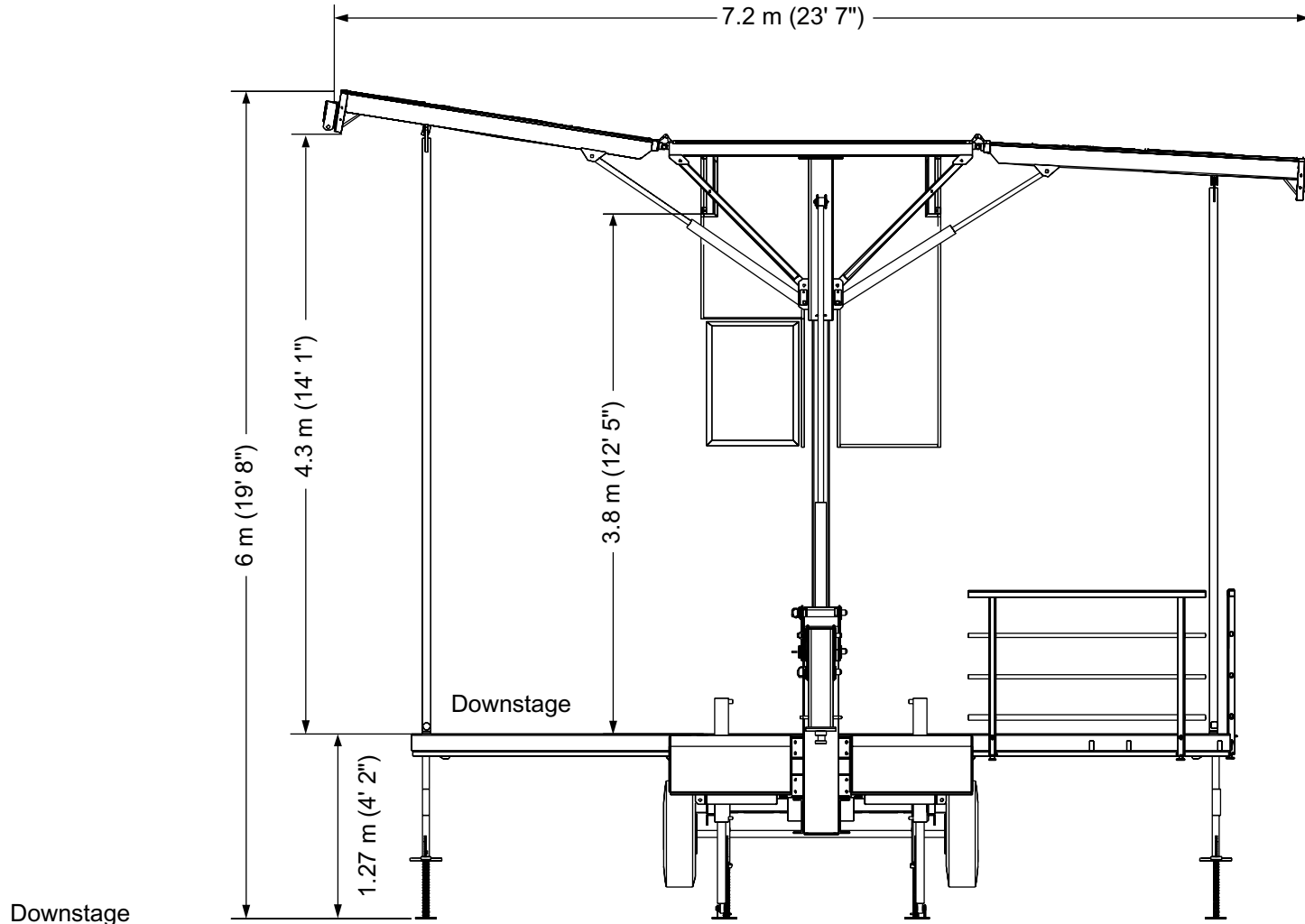
© 2001 - All rights reserved, Stageline Mobile Stage inc. Any and all forms of adaptation or reproduction of this document including plans and drawings found herein, in whole or in part, are strictly forbidden without the written authorisation of Stageline Mobile Stage inc.

Date: 2002-06-03
Ref no.: D09-V-102-A
Revision 1



700 Marsolais Street
L'Assomption, Quebec
Canada J5W 2G9
Tel: (450) 589-1063
or 1-800-267-8243
Fax: (450) 589-1711
www.stageline.com
info@stageline.com

Stageline SL 100



Side View

Stage specifications subject to change without notice. Figures are within inch or cm to actual size.

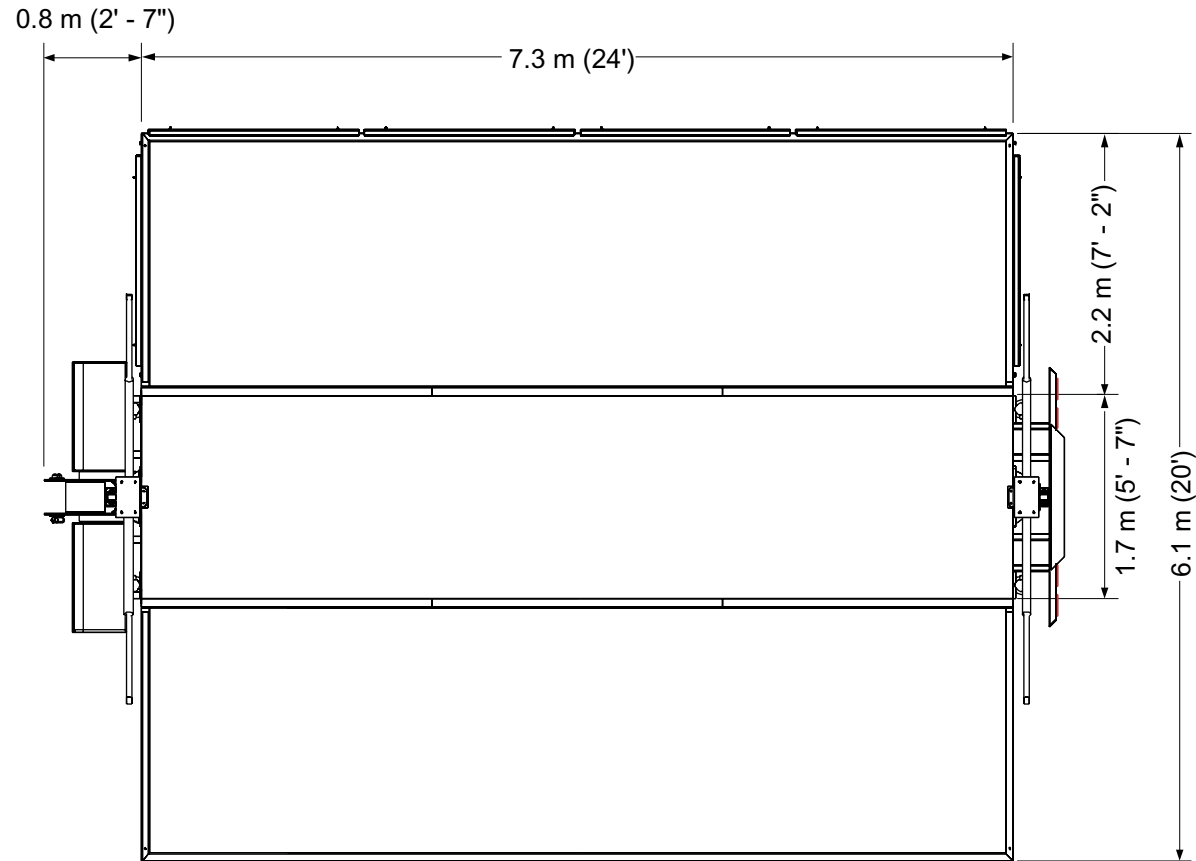
© 2001 - All rights reserved, Stageline Mobile Stage inc. Any and all forms of adaptation or reproduction of this document including plans and drawings found herein, in whole or in part, are strictly forbidden without the written authorisation of Stageline Mobile Stage inc.

Date: 2002-03-21
Ref no: D09-V-101-A
Revision 1



700 Marsolais Street
L'Assomption, Quebec
Canada J5W 2G9
Tel: (450) 589-1063
or 1-800-267-8243
Fax: (450) 589-1711
www.stageline.com
info@stageline.com

Stageline SL 100



Downstage

Capacity: 100 lbs / ft² (5 kN / m²)

Floor View

Stage specifications subject to change without notice. Figures are within inch or cm to actual size.

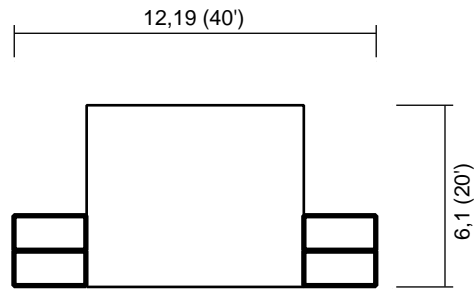
© 2001 - All rights reserved, Stageline Mobile Stage inc. Any and all forms of adaptation or reproduction of this document including plans and drawings found herein, in whole or in part, are strictly forbidden without the written authorisation of Stageline Mobile Stage inc.

Date: 02-03-21
Ref. no.: D09-V-103-A
Rev.: 1



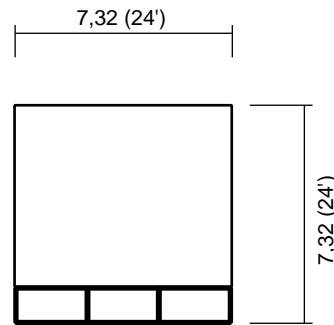
700 Marsolais Street
L'Assomption, Quebec
Canada J5W 2G9
Tel.: (450) 589-1063
ou 1-800-267-8243
Fax: (450) 589-1711
www.stageline.com
info@stageline.com

Stageline SL 100



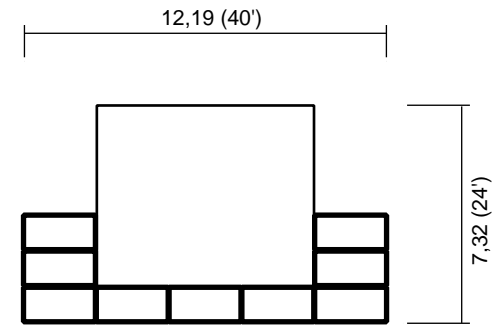
OPTION 1

12,2 x 6,1 m
(40' x 20')



OPTION 2

7,3 x 7,3 m
(24' x 24')



OPTION 3

12,2 x 7,3 m
(40' x 24')

Extension Platforms Layout

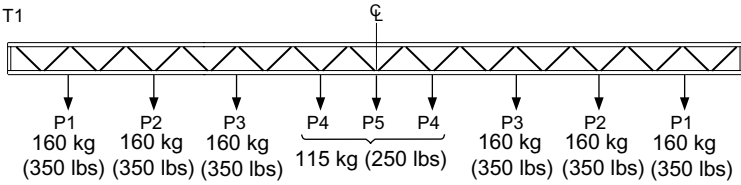


700 Marsolais Street
L'Assomption, Quebec
Canada J5W 2G9
Tel: (450) 589-1063
or 1-800-267-8243
Fax: (450) 589-1711
www.stageline.com
info@stageline.com

Stageline SL 100

LOAD BEARING TRUSSES

TRUSS T1

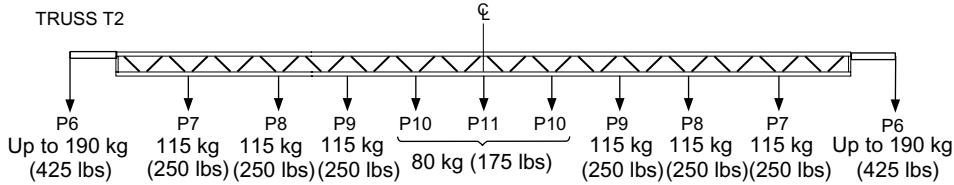


TOTAL MAXIMUM
320 kg (700 lbs)

RIGGING PATTERNS

T1: USE P1 or P2 or P3 or P4 or P5

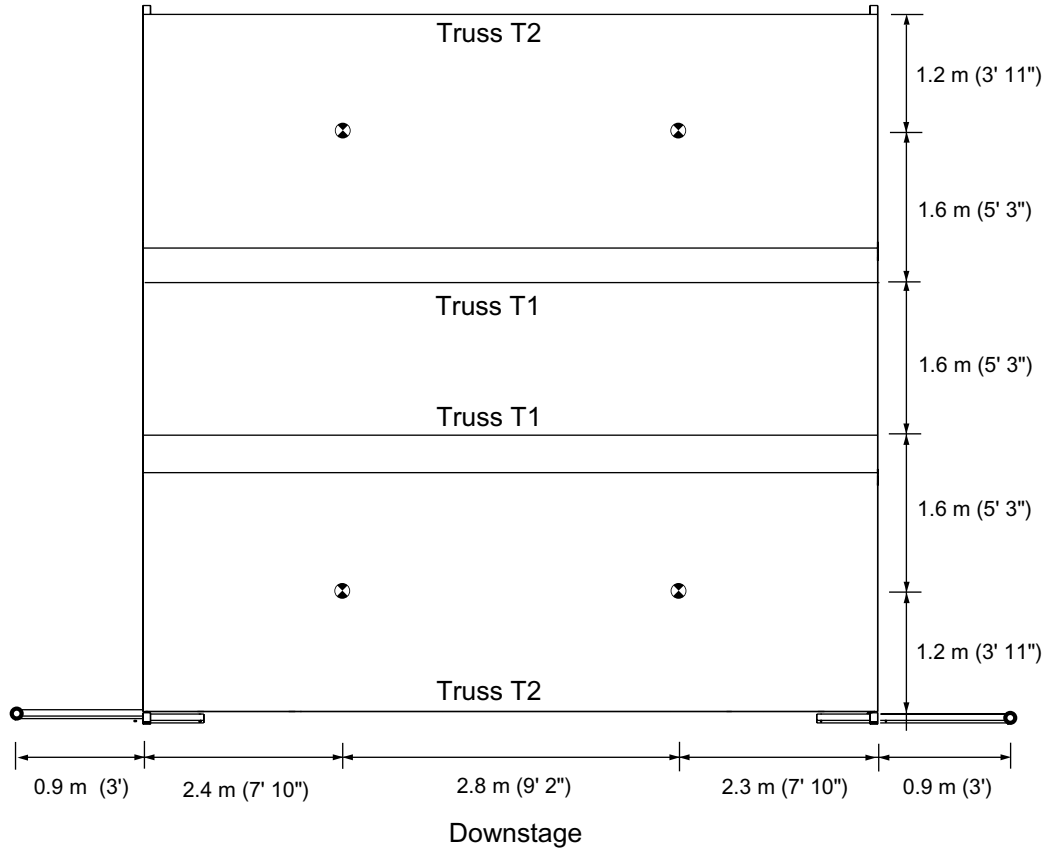
TRUSS T2



TOTAL MAXIMUM
227 kg (500 lbs) or 380 kg (850 lbs)
if ⓧ downstage rigging points are not used.

RIGGING PATTERNS

T2: USE P6 or P7 or P8 or P9 or P10 or P11



Maximum load bearing capacity: 1725 kg (3800 lbs)

- Rigging point maximum capacity: 190 kg (425 lbs)
- ⓧ Rigging point maximum capacity: 160 kg (350 lbs)

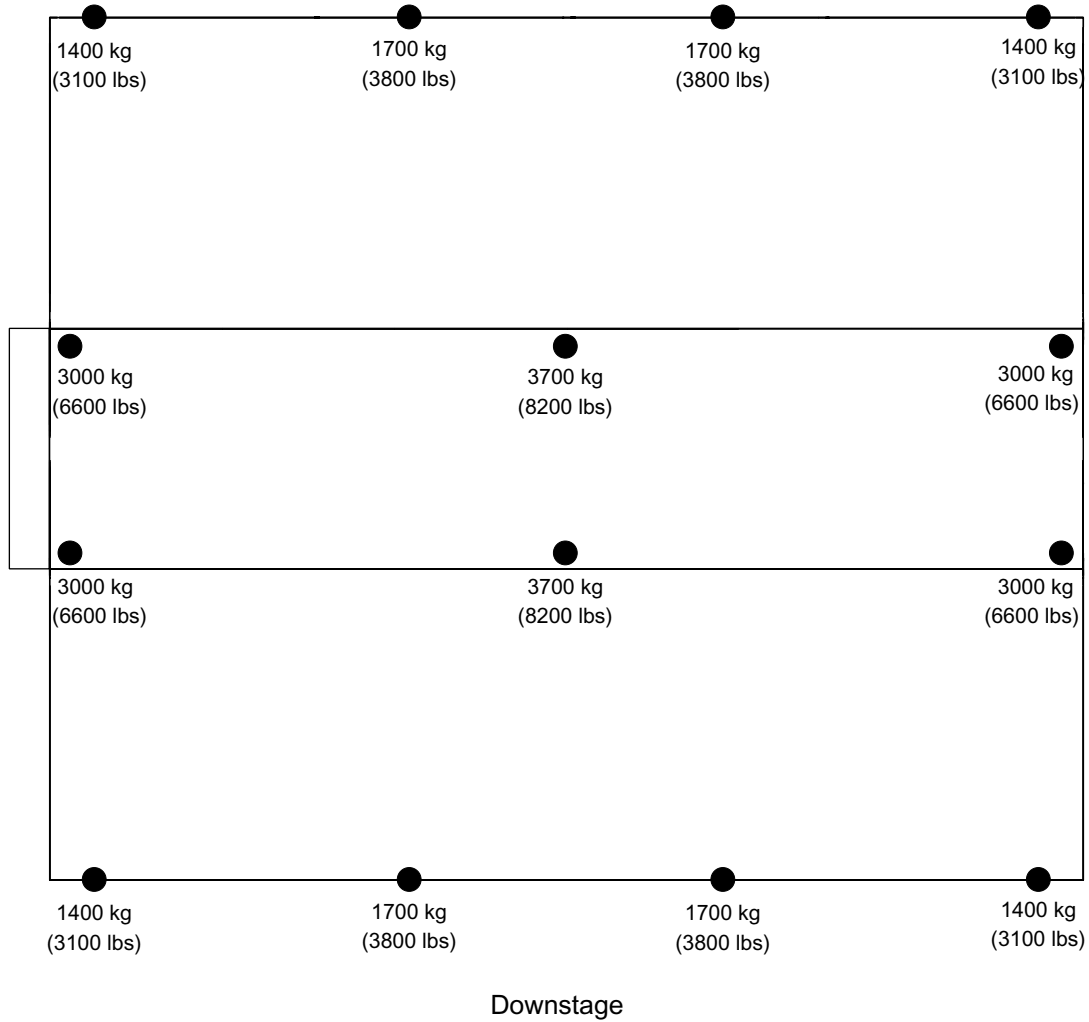
All loads should be evenly distributed.

Rigging Plan



700 Marsolais Street
 L'Assomption, Quebec
 Canada J5W 2G9
 Tel: (450) 589-1063
 or 1-800-267-8243
 Fax: (450) 589-1711
 www.stageline.com
 info@stageline.com

Stageline SL 100



●: Floor stabilizers, extensions and levelling jacks.
 *Nominal specifications subject to change without notice.

Ground Support Capacity

Figures are within inch or cm to actual size

© 2001 - All rights reserved, Stageline Mobile Stage inc. Any and all forms of adaptation or reproduction of this document including plans and drawings found herein, in whole or in part, are strictly forbidden without the written authorisation of Stageline Mobile Stage inc.

Date: 2002-06-25
 Ref no.: D09-V-105-A
 Revision 1